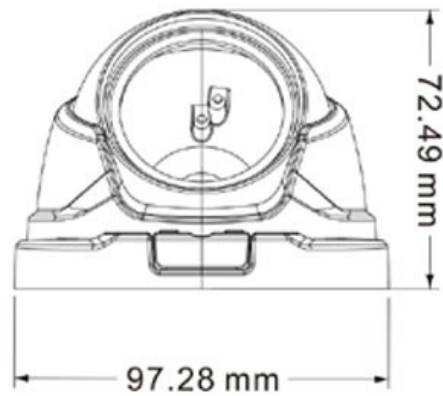


CP- ENC-V41L3-D**4MP Full HD IR WDR Vandal Dome Camera - 30Mtr.****Main Features**

- 1/3" 4MP CMOS Image Sensor
- Max 25fps@4MP
- H.265 Video Compression
- WDR(100dB), Day/Night (ICR), AWB, AGC, BLC
- 3.6mm fixed lens (6mm optional)
- IR Range of 30 Mtrs, IP66
- Mobile Software: RMOB
- CMS Software: RVMS



CP- ENC-V41L3-D

4MP Full HD IR WDR Vandal Dome Camera - 30Mtr.



Feature

Image Sensor
Minimum Illumination
White Balance
Lens
Gain Control (AGC)
Back Light Compensation
Video Compression
Video Streaming

Resolution

Frame Rate
WDR
Protocol
Smart Detection
Ethernet
Smart Phone
IR
Operating Temperature
Power Source
Weatherproof Standard
Dimension
Weight

Specification

1/3" 4MP WDR CMOS Image Sensor
0.01Lux@F1.2(Color)/0.001Lux@F1.2(B/W)
Auto/Manual
3.6mm (6mm optional) lens
Auto/Manual
Auto/Manual
H.265
Dual Stream

4M(2560x1440) / 3M(2048x 1536)/1080P(1920x 1080) / 720P(1280x 720) /D1(704x 576) /
CIF(352x 288)

Main Stream : 4MP@25fps, Sub-Stream: D1
WDR(100dB)
ONVIF Support (profile S)
Tripwire, Intrusion, Scene Change, Abandoned / MissingObject
RJ-45 (10/100Base-T)
iPhone, iPad, Android
IR Range of 30 Mtr.
-20°C~+65°C
DC12V±10%, PoE
IP66
97mm x 72.5mm
Around 390g