

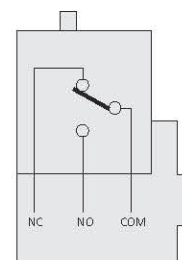
Micro-gap Switches



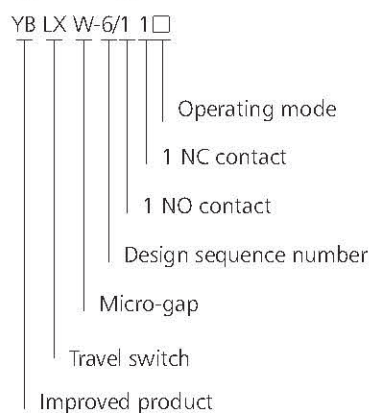
YBLXW-6/11(ZL15G、D4MC) Micro-gap Switch

1. General

Contacting types

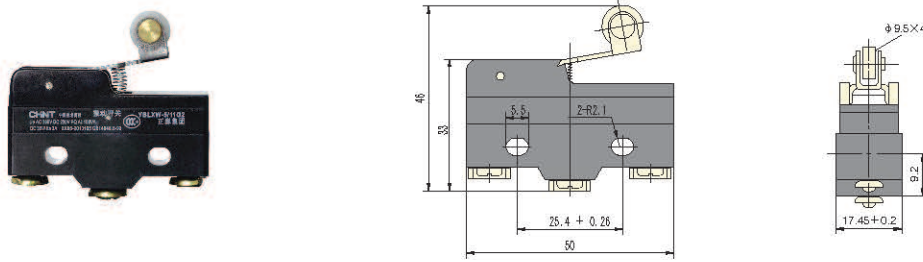


2. Type Designation

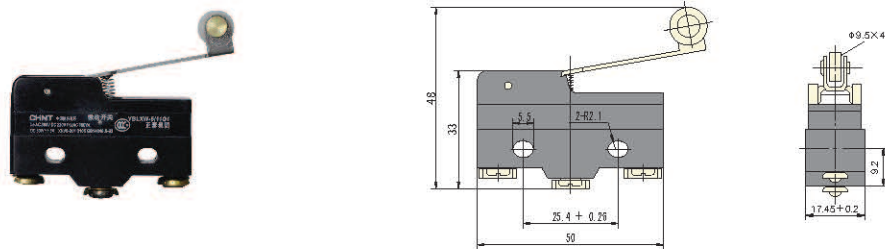


| Model (recommended) | Operating mode | Substituted Model (production stopped) | | | | |
|---------------------|--------------------------------------|--|----------|----------|------------|------------|
| | | | | | | |
| YBLXW-6/11 | Components | | | | -ZL/15G10 | |
| YBLXW-6/11BZ | Panel mounted plunger type | -AZ/7310 | -TZ/7310 | -MN/5310 | -ZL/15G03 | -D4MC/5000 |
| YBLXW-6/11CA | Long button type | | | | | |
| YBLXW-6/11DA | Short button I type | -AZ/7110 | -TZ/7110 | -MN/5110 | -ZL/15G01 | |
| YBLXW-6/11DA2 | Short button II type | -AZ/7100 | -TZ/7100 | -MN/5100 | | |
| YBLXW-6/11CG | Long horizontal lever type | -AZ/7120 | -TZ/7120 | -MN/5120 | -ZL/15G060 | -D4MC/1000 |
| YBLXW-6/11DG | Short horizontal lever type | -AZ/7140 | -TZ/7140 | -MN/5140 | -ZL/15G06 | -D4MC/1020 |
| YBLXW-6/11CL | Long lever with roller type | -AZ/7121 | -TZ/7121 | -MN/5121 | -ZL/15G07 | -D4MC/2000 |
| YBLXW-6/11DL | Short lever type with roller | -AZ/7141 | -TZ/7141 | -MN/5141 | -ZL/15G09 | -D4MC/2020 |
| YBLXW-6/11CDL | Long lever type with one-way roller | -AZ/7124 | -TZ/7124 | -MN/5124 | | |
| YBLXW-6/11DDL | Short lever type with one-way roller | -AZ/7144 | -TZ/7144 | -MN/5144 | -ZL/15G070 | -D4MC/3030 |
| YBLXW-6/11HL | Horizontal mounted roller type | -AZ/7312 | -TZ/7312 | -MN/5312 | -ZL/15G031 | -D4MC/5040 |
| YBLXW-6/11ZL | Vertical mounted roller type | -AZ/7311 | -TZ/7311 | -MN/5311 | -ZL/15G030 | -D4MC/5020 |
| YBLXW-6/11W1 | Free directions type I | -AZ/7161 | -TZ/7161 | -MN/5161 | | |
| YBLXW-6/11W2 | Free directions type II | -AZ/7166 | -TZ/7166 | -MN/5166 | | |
| YBLXW-6/11W3 | Free directions type III | -AZ/7169 | -TZ/7169 | -MN/5169 | | |

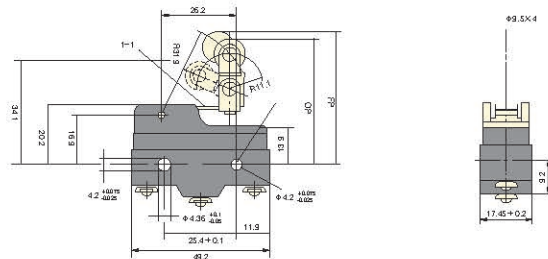
YBLXW-5/11G2、YBLXW-5/11G2/L



YBLXW-5/11G1、YBLXW-5/11G1/L



YBLXW-5/11G2277



YBLXW-5/11GS

