



RFID ACCESS CONTROLLER

Locky-BP



Short description:

Locky-BP is an electronic device designed to control the access to facilities, elevators, automobiles etc. The controller works with RFID tags in the form of cards, key fobs and stickers. The device has a shape of button, in which are embedded controller and the reading antenna.

Options:

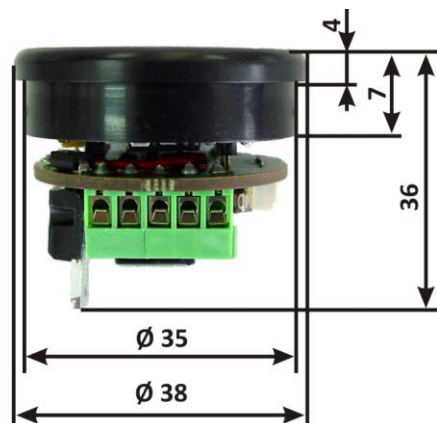
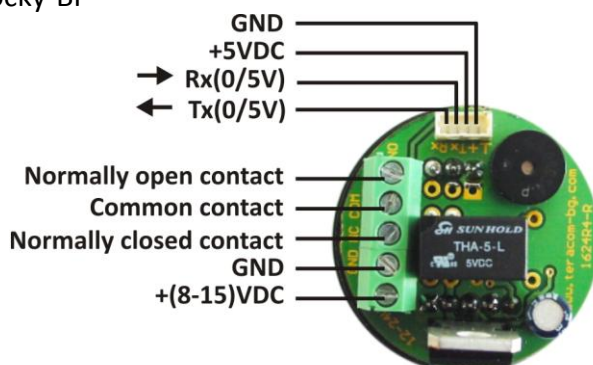
- Can be programmed by service tag - adding and group deleting identifiers;
- Can be programmed with LockyMonitor2 software;
- Credit mode – for each tag can set number of usage;
- Statistic mode – every usage of tag is counted.

Specifications:

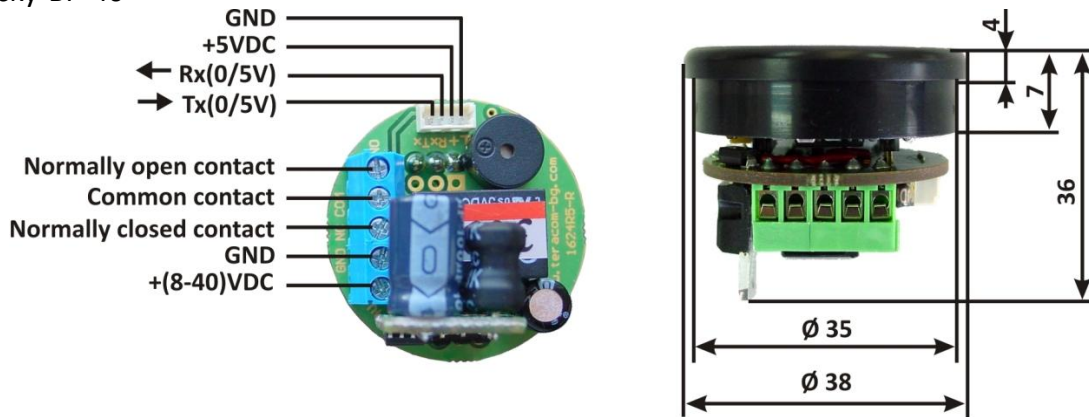
- | | |
|--|----------------------------------|
| - Operating temperature range | -10 to +40°C; |
| - Power supply | |
| Locky-BP | 8-15VDC; |
| Locky-BP-40 | 8-40VDC; |
| - Maximum consumption /with switched on relay/ | 180 mA; |
| - Contact rating | 60V / 0.3A; |
| - Reading range | ≤ 3cm; |
| - Dimensions | |
| Locky-BP | Φ 38mm x 36mm; |
| Locky-BP-40 | Φ 38mm x 38mm; |
| - RFID tags | 125kHz, EM4102 compatible; |
| - Memory | non volatile for up to 500 tags. |

Pin outs and dimensions:

Locky-BP



Locky-BP-40



Modes:

The controller Locky-BP might be in one of the following modes:

- Operating mode;
- Adding new tags, by the service tag;
- Deleting all tags, by the service tag;
- Programming by *LockyMonitor2* software ;

Operating mode

In this mode, the indicator flashes red.

If a valid tag is put in the range of antenna, the controller issues a long beep, accompanied by activation of the relay. The LED flashes once in green. Pulse duration of relay is programmable by *LockyMonitor2* software and can be from 1 to 240 seconds.

If an invalid tag is put in the range of antenna, the controller issues six long beeps.

If the service tag is put in the range of antenna, Locky-BP enters in adding or deleting modes.

Adding new tags

The controller enters in this mode when the service tag is put in the range of antenna for short time. The indicator lights up in yellow, and the controller issues a single beep.

When a new tag is put in the range of antenna the controller issues two beeps and LED flashes once. If the tag has been previously stored, Locky-BP issues one short and three long beeps to avoid new record.

Going back to operating mode can be done either by put the service tag in the range of antenna / controller issues four beeps / or automatically - 30 seconds after the last identifier was stored.

Deleting all tags

The controller enters in this mode when the service tag is put and hold longer than 8 seconds in the range of antenna. The indicator goes off.

After 8 seconds memory erasure begins, the process is indicated by sequentially flashing and issuing a series of short beeps. The end of the process is indicated by two long beeps, flashing simultaneously and return the device in operating mode. In this mode service tag is not deleted!

Programming by *LockyMonitor2* software

Allows to add/remove/enable/disable tags and change the firmware of controller.

The controller should be connected with cable converter to PC.

Software can be downloaded from www.teracom.cc.