

CJX2 AC Contactor

Standard: IEC 60947-4-1



Function

CJX2 AC contactors provide:

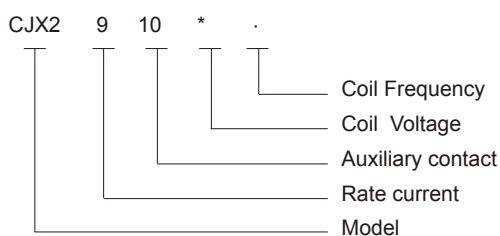
- Remote make & break of circuits
- Frequent start and stop of motors

Order Information



| Motor P(kW) 380V | Rated current(A) | Auxiliary contact | | Reference |
|------------------|------------------|-------------------|----|-----------|
| | | NO | NC | |
| 5.5 | 9 | 1 | 0 | CJX2910* |
| | | 0 | 1 | CJX2901* |
| 7.5 | 12 | 1 | 0 | CJX21210* |
| | | 0 | 1 | CJX21201* |
| 10 | 18 | 1 | 0 | CJX21810* |
| | | 0 | 1 | CJX21801* |
| 15 | 25 | 1 | 0 | CJX22510* |
| | | 0 | 1 | CJX22501* |
| 18.5 | 32 | 1 | 0 | CJX23210* |
| | | 0 | 1 | CJX23201* |
| 30 | 40 | 1 | 1 | CJX24011* |
| 33 | 50 | 1 | 1 | CJX25011* |
| 37 | 65 | 1 | 1 | CJX26511* |
| 45 | 80 | 1 | 1 | CJX28011* |
| 55 | 95 | 1 | 1 | CJX29511* |

Reference Description



■ Coil voltage code

| coil voltage | 24V | 36V | 110V | 127V | 220V | 380V | 400V |
|--------------|-----|-----|------|------|------|------|------|
| * | B | C | F | S | M | Q | V |

■ Coil frequency code

| coil frequency | 50Hz | 60Hz |
|----------------|------|------|
| . | 5 | 6 |

CJX2 AC Contactor

Standard: IEC 60947-4-1



Technical Data

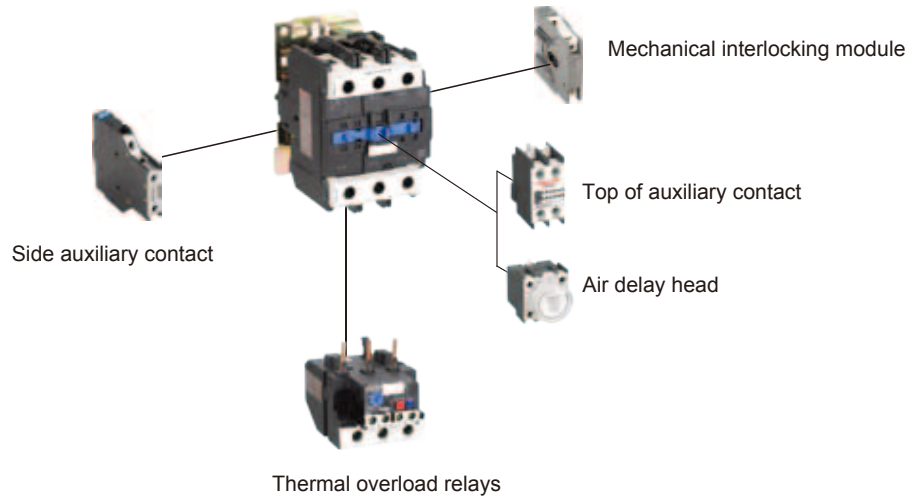
| Model | | CJX2-09 | CJX2-12 | CJX2-18 | CJX2-25 | CJX2-32 | CJX2-40 | CJX2-50 | CJX2-65 | CJX2-80 | CJX2-95 |
|--|---|-----------------------------|-----------------|----------------|-----------------|-------------------|-------------------|----------------|----------------|------------------|----------------|
| Main circuit characteristics | | | | | | | | | | | |
| Rated operational voltage | V | 400, 690 | | | | | | | | | |
| Rated insulation voltage | V | 690 | | | | | | | | | |
| Conventional thermal current | A | 25 | 25 | 32 | 40 | 50 | 60 | 80 | 80 | 125 | 125 |
| Rated operational current | 400V AC-3 A | 9 | 12 | 18 | 25 | 32 | 40 | 50 | 65 | 80 | 95 |
| | 400V AC-4 A | 3.5 | 5 | 7.7 | 18 | 21 | 34 | 39 | 42 | 49 | 55 |
| | 690V AC-3 A | 6.6 | 8.9 | 12 | 8.5 | 12 | 18.5 | 24 | 28 | 37 | 44 |
| | 690V AC-4 A | 1.5 | 2 | 3.8 | 4.4 | 7.5 | 9 | 12 | 14 | 17.3 | 21.3 |
| Power of controlled 3-phase cage motor | 400V, AC-3 kW 690V, AC-3 kW 400V, AC-4 kW | 4 5.5 2.2 | 5.5 7.5 3 | 7.5 10 4 | 11 15 5.5 | 15 18.5 7.5 | 18.5 30 7.5 | 22 33 11 | 30 37 15 | 37 45 18.5 | 45 55 22 |
| Electric durabilities | AC-3 ×10 ⁴ operations | 100 | | | | 80 | 80 | 60 | | | |
| | AC-4 ×10 ⁴ operations | 20 | | | | 20 | 15 | 10 | | | |
| Mechanical durabilities | ×10 ⁴ cycles | 1000 | | | | 800 | 800 | 600 | | | |
| Operating rate | AC-3 cycles/h | 1200 | | | | 600 | 600 | 600 | | | |
| | AC-4 cycles/h | 300 | | | | 300 | 300 | 300 | | | |
| Matched Fuse | | RT16-20 | RT16-20 | RT16-32 | RT16-40 | RT16-50 | RT16-63 | RT16-80 | RT16-80 | RT16-100 | RT16-125 |
| Cable connection cross section | mm ² | 1.5 | 1.5 | 2.5 | 4 | 6 | 10 | 16 | 16 | 25 | 35 |
| Coil | | | | | | | | | | | |
| Coil voltage(Us) | V | AC24,36,110,127,220,380,400 | | | | | | | | | |
| Operational voltage | V | 85%~110%Us | | | | | | | | | |
| Drop-out voltage | V | 20%~75%Us | | | | | | | | | |
| Inrush | VA | 70 | | | 110 | 200 | | | | | |
| Sealed | VA | 9 | | | 11 | 24 | | | | | |
| Heat dissipation | W | 2.7 | | | 4 | 10 | | | | | |
| Accessories | | | | | | | | | | | |
| Auxiliary contact | Front mount | F4 | | | | | | | | | |
| | Side mount | FC6 | | | | | | | | | |
| Time-delay block | Front mount | SK4 | | | | | | | | | |
| Mechanical Interlock | | FR632H | | | | | FR695HX | | | | |
| Rated conventional thermal current | A | 10 | | | | | | | | | |
| Rated operational voltage | AC V | 400 | | | | | | | | | |
| | DC V | 230 | | | | | | | | | |
| Rated control capacity | AC-15 VA | 360 | | | | | | | | | |
| | DC-13 W | 33 | | | | | | | | | |

CJX2 AC Contactor

Standard: IEC 60947-4-1



CJX2 Contactor Accessories



■ Contactor



| | 9 | 12 | 18 | 25 | 32 | 40 | 50 | 65 | 80 | 95 |
|---------------------------------------|--|-------------------------------------|----|----|--|----|----|----|----|----|
| Top of auxiliary contact | 2 Poles: F411, F402, F420 4 Poles: F404, F413, F422, F431, F440 | | | | | | | | | |
| Side auxiliary contact | 2 Poles: FC611, FC602, FC620 | | | | | | | | | |
| Air delayed head | Making time-delay: SK420, SK422, SK424 Breaking time-delay: SK430, SK432, SK434 | | | | | | | | | |
| Mechanical interlocking module | 9-32A: FR632H 40-95A: FR695HX | | | | | | | | | |
| Thermal overload relays | JRS1D-25 0.1-0.16A ... 17-25A | JRS1D-36 23-32A 30-40A | | | JRS1D-93 23-32A ... 80-93A | | | | | |

CJX2 AC Contactor

Standard: IEC 60947-4-1



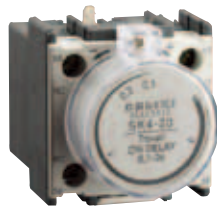
Accessories

■ F4 Top of auxiliary contact



| Pole | Contact | | Wiring diagram | Reference |
|------|---------|----|----------------|-----------|
| | NO | NC | | |
| 2P | 1 | 1 | | F411 |
| | 0 | 2 | | F402 |
| | 2 | 0 | | F420 |
| 4P | 0 | 4 | | F404 |
| | 1 | 3 | | F413 |
| | 2 | 2 | | F422 |
| | 3 | 1 | | F431 |
| | 4 | 0 | | F440 |

■ SK4 Air delayed head



| Delay Type | Wiring diagram | Delay Range | Reference |
|---------------------|----------------|-------------|-----------|
| Making time-delay | | 0.1-3S | SK420 |
| | | 0.1-30S | SK422 |
| | | 10-180S | SK424 |
| Breaking time-delay | | 0.1-3S | SK430 |
| | | 0.1-30S | SK432 |
| | | 10-180S | SK434 |

■ FC6 Side auxiliary contact



| Pole | Contact | | Wiring diagram | Reference |
|------|---------|----|----------------|-----------|
| | NO | NC | | |
| 2P | 0 | 2 | | FC602 |
| | 1 | 1 | | FC611 |
| | 2 | 0 | | FC620 |

CJX2 AC Contactor

Standard: IEC 60947-4-1



Accessories



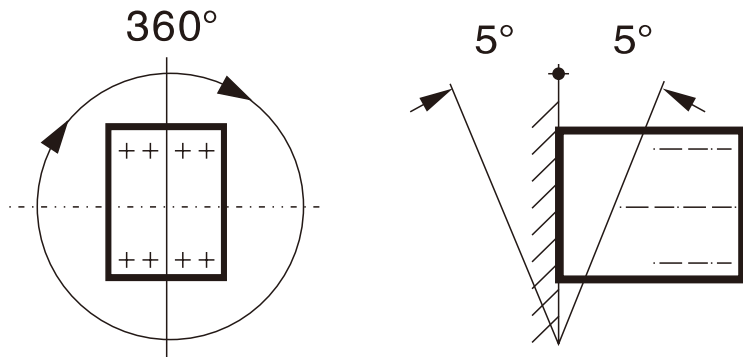
■ Mechanical interlocking module

| Contactor Specifications | Reference |
|--------------------------|-----------|
| CJX2-9~32 | FR632H |
| CJX2-40~95 | FR695HX |

Working Conditions

- Ambient temperature: $-5^{\circ}\text{C} \sim +40^{\circ}\text{C}$, the daily average temperature $\leq 35^{\circ}\text{C}$
- Altitude: ≤ 2000 m
- Humidity: Maximum temperature is $+40^{\circ}\text{C}$, air relative humidity of not more than 50%, at a lower temperature allows a higher relative humidity. For example, 20°C , when up to 90%, and occasionally due to temperature changes resulting from Gel should take special measures
- Pollution Level: 3
- Installation Type: III
- Installation position: should be installed in the absence of a significant shake and shock and vibration place

Install Location



CJX2 AC Contactor

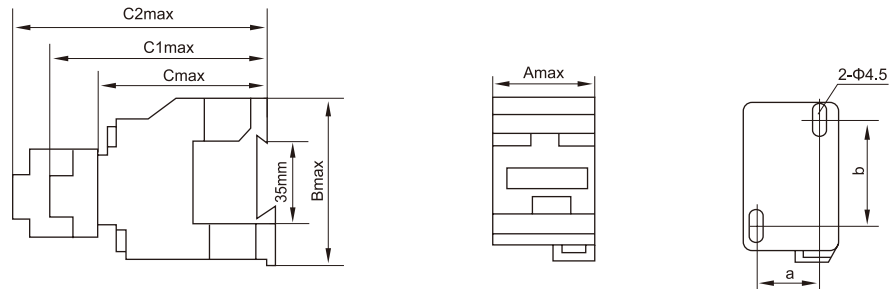
Standard: IEC 60947-4-1



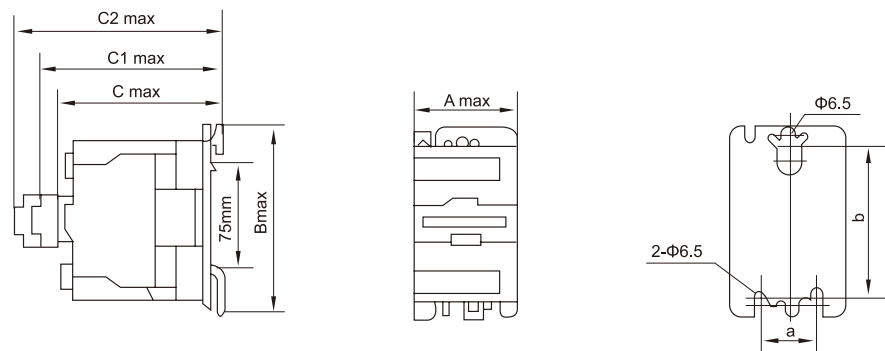
Overall Dimensions

Unit:mm

■ CJX2-09~32



■ CJX2-40~95



| Product Type | Amax | Bmax | Cmax | C ₁ max | C ₂ max | a | b | d |
|--------------|------|------|------|--------------------|--------------------|----|---------|-----|
| CJX2-09~12 | 47 | 76 | 82 | 115 | 115 | 35 | 50/60 | 4.5 |
| CJX2-18 | 47 | 76 | 87 | 120 | 120 | | | |
| CJX2-25 | 57 | 86 | 97 | 130 | 130 | 40 | 50/60 | 4.5 |
| CJX2-32 | 57 | 86 | 102 | 135 | 135 | | | |
| CJX2-40~65 | 77 | 129 | 116 | 149 | 149 | 40 | 100/110 | 6.5 |
| CJX2-80~95 | 87 | 129 | 127 | 160 | 160 | | | |

Note: C₁max is auxiliary contact group +F4 C₂max is air-delay contact+SK4